



**Future Technology Devices  
International Ltd.**

**AN232B-11 FTDI Device Tape and Reel  
Dimensions**

## Contents

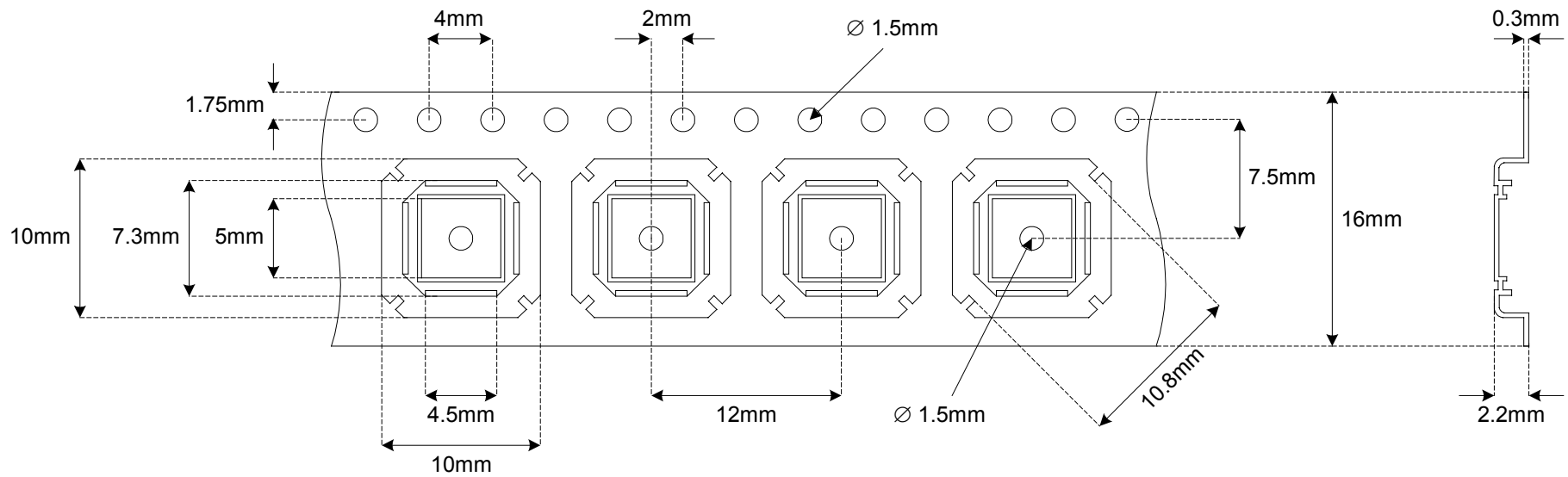
|   |   |   |
|---|---|---|
| 1 | Introduction.....   | 2 |
| 2 | FT2232C, FT2232L, FT232BM, FT232BL, FT245BM and FT245BL Tape Dimensions ..... | 3 |
| 3 | FT2232C, FT2232L, FT232BM, FT232BL, FT245BM and FT245BL Reel Dimensions ..... | 4 |
| 4 | FT232BQ and FT245BQ Tape Dimensions.....                                      | 5 |
| 5 | FT232BQ and FT245BQ Reel Dimensions .....                                     | 6 |
| 6 | Revision History .....  | 7 |
| 7 | Contact Information .....   | 8 |
| 8 | Disclaimer.....   | 9 |

## **1 Introduction**

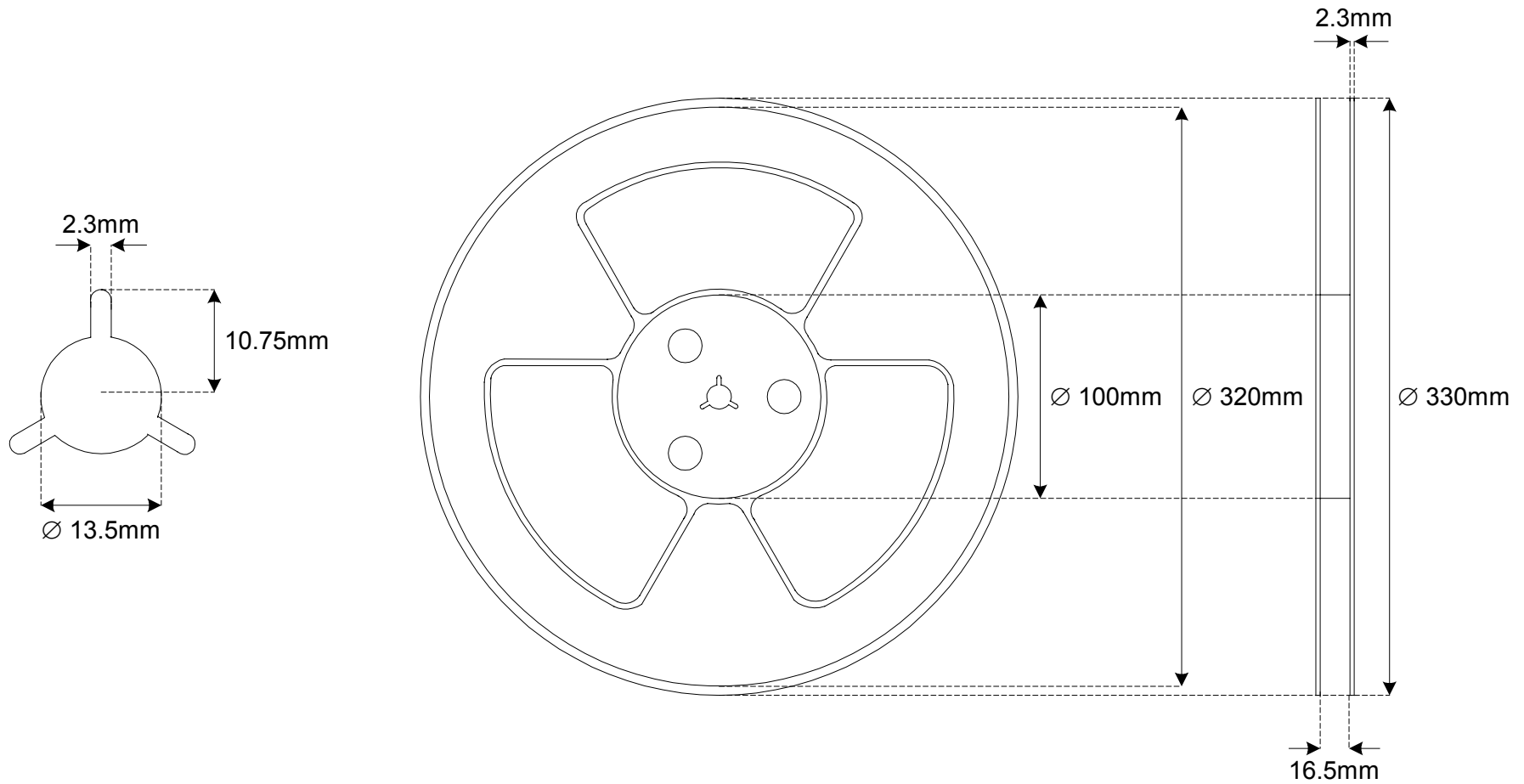
This document provides information on the tape and reel dimensions for FT2232C, FT2232L, FT232BM, FT232BL, FT232BQ, FT245BM, FT245BL and FT245BQ devices.

Each 9" or 7" reel holds 1000 devices.

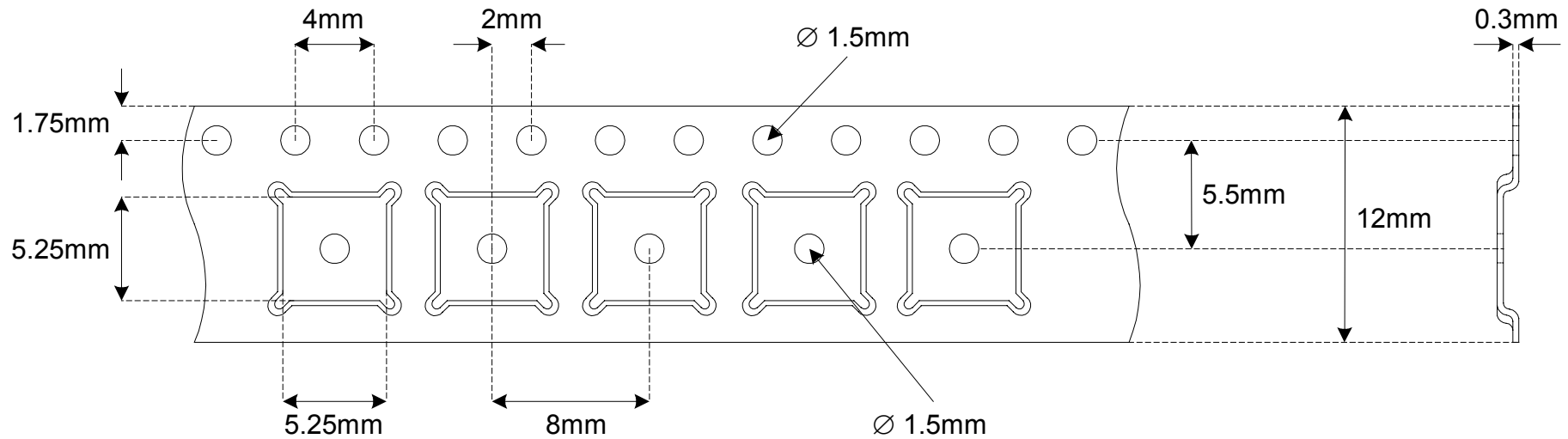
## 2 FT2232C, FT2232L, FT232BM, FT232BL, FT245BM and FT245BL Tape Dimensions



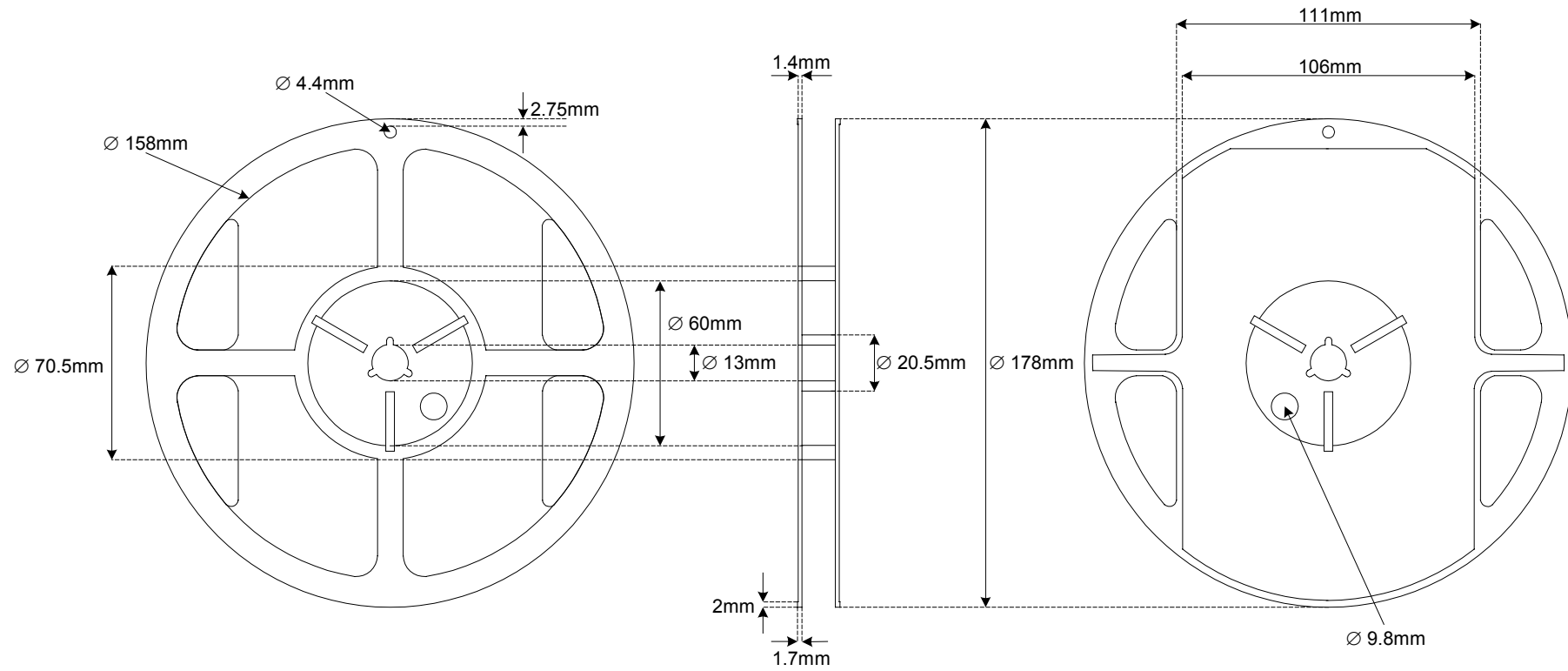
**3 FT2232C, FT2232L, FT232BM, FT232BL, FT245BM and FT245BL Reel Dimensions**



#### 4 FT232BQ and FT245BQ Tape Dimensions



## 5 FT232BQ and FT245BQ Reel Dimensions



## 6 Revision History

| Version | Release Date  | Comments        |
|---------|---------------|-----------------|
| 1.0     | February 2005 | Initial release |



## 7 Contact Information

Future Technology Devices International Limited  
373 Scotland Street,  
Glasgow,  
G5 8QB,  
United Kingdom.

Tel: +44 (0) 141 429 2777  
Fax: +44 (0) 141 429 2758

E-Mail (Sales): [sales1@ftdichip.com](mailto:sales1@ftdichip.com)  
E-Mail (Support): [support1@ftdichip.com](mailto:support1@ftdichip.com)  
E-Mail (General Enquiries): [admin1@ftdichip.com](mailto:admin1@ftdichip.com)  
Website URL: <http://www.ftdichip.com/>

### **Agents and Sales Representatives**

At the time of writing our Sales Network covers over 40 different countries worldwide. Please visit the [Sales Network page](#) of our Web site for the contact details our distributor(s) in your country.

## **8 Disclaimer**

© Future Technology Devices International Limited 2005

Neither the whole nor any part of the information contained in, or the product described in this manual, may be adapted or reproduced in any material or electronic form without the prior written consent of the copyright holder.

This product and its documentation are supplied on an as-is basis and no warranty as to their suitability for any particular purpose is either made or implied.

Future Technology Devices International Ltd. will not accept any claim for damages howsoever arising as a result of use or failure of this product. Your statutory rights are not affected.

This product or any variant of it is not intended for use in any medical appliance, device or system in which the failure of the product might reasonably be expected to result in personal injury.

This document provides preliminary information that may be subject to change without notice.